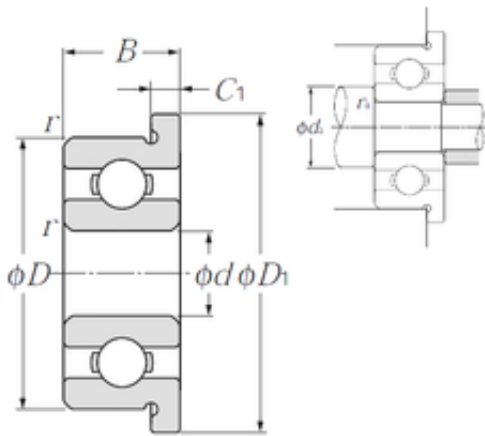


FL698 NTN Deep Groove Ball Bearings

Bearing No. FL698



FL698 Bearing 2D drawings and 3D CAD models

Size	8x22x6 mm
Bore Diameter	8 mm
Outer Diameter	22 mm
Width	6 mm
d	8 mm
D	19 mm
D1	22 mm
B	6 mm
r min.	0,3 mm
C1	1,5 mm
da min.	10 mm
da max	10,6 mm
Da max.	17 mm
ra max.	0,3 mm
Weight	8,4 Kg
Basic dynamic load rating (C)	1,99 kN
Basic static load rating (C0)	0,865 kN
(Grease) Lubrication Speed	33 000 r/min
(Oil) Lubrication Speed	39 000 r/min