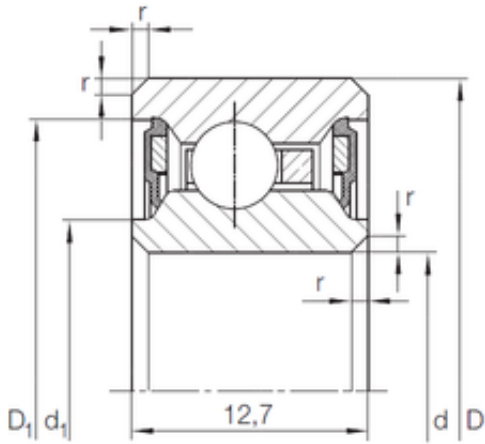


CSCU 100.2RS INA Deep Groove Ball Bearings



Bearing No. CSCU 100.2RS

Size	254x273.05x12.7 mm
Bore Diameter	254 mm
Outer Diameter	273,05 mm
Width	12,7 mm
d	254 mm
D	273,05 mm
B	12,7 mm
C	12,7 mm
d1	257,8 mm
r min.	0,38 mm
D1	267,6 mm
Weight	0,59 Kg
Basic dynamic load rating (C)	10,7 kN
Basic static load rating (C0)	20,2 kN

CSCU 100.2RS Bearing 2D drawings and 3D CAD models